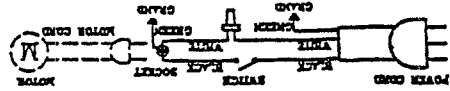
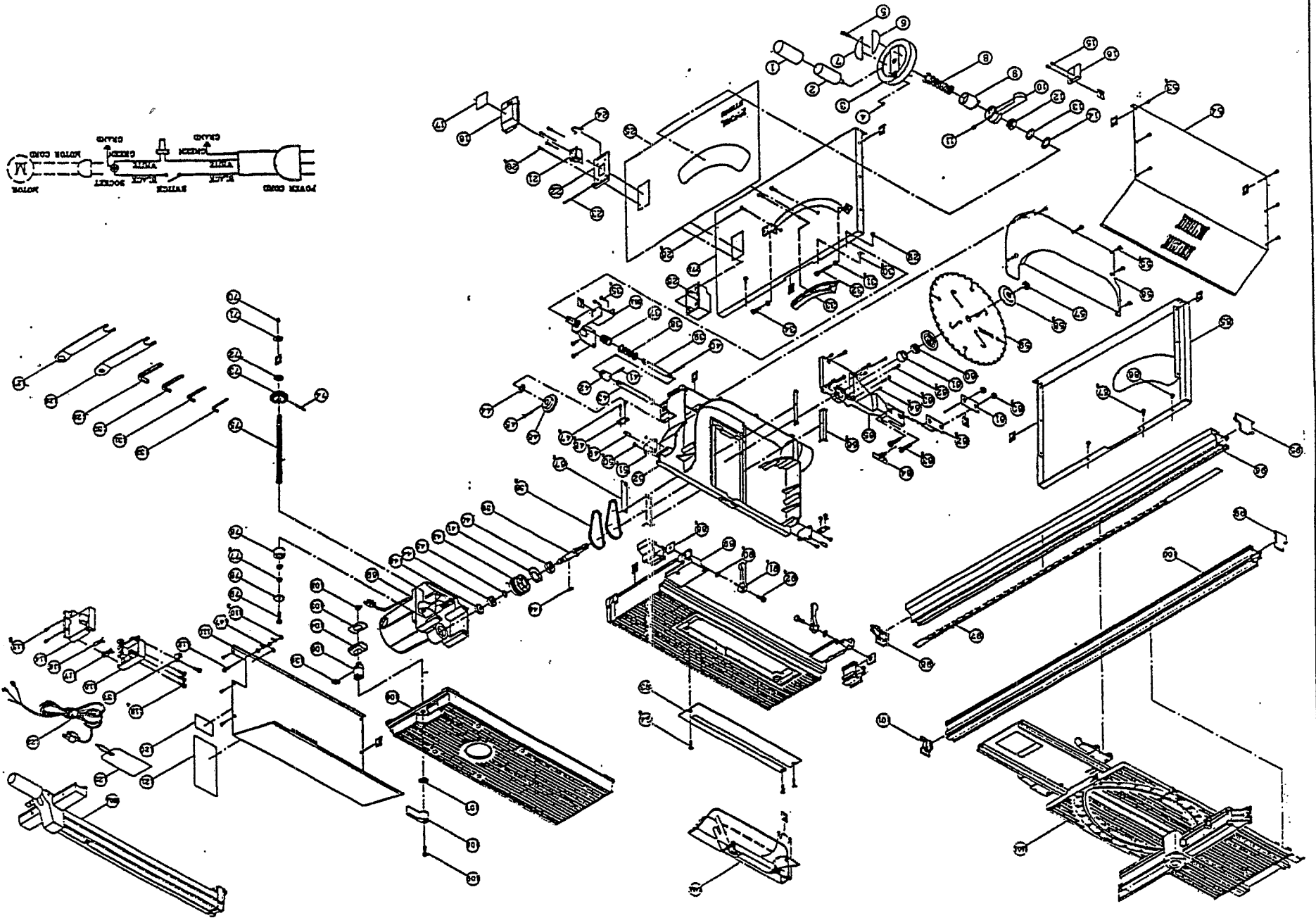


TABLE SAW
BT3000SXI



**PARTS LIST FOR AFTER SALES SERVICE
MODEL BT3000SX1**

REF	PART NO.	DESCRIPTION	QTY	REF	PART NO.	DESCRIPTION	QTY
1	969912003	BLADE ADJ'T HANDLE GRIP	1	54	969105001	PLATE COVER	1
2	662822002	HANDWHEEL INNER GRIP	1	55	968705040	SCREW (10-24X1/2" TAPPING)	7
3	662848001	HANDWHEEL 10-15	1	56	969548003	FRONT COVER	1
4	622167014	C-RING	1	57	969548003	SET NUT (5/8")	1
5	969220002	CAP SCREW	1	59	969196001	BLADE	1
6	662884001	FRONT CABINET PANEL	1	60	662062001	COLLAR	1
7	969103001	REAR CABINET PANEL	1	61	662062002	COLLAR	1
8	969222001	COMPRESSION SPRING	1	62	614658007	SCREW(8-32X3/4" PAN HD)	2
9	969129002	ECCENTRIC CAM	1	63	968705015	SCREW(10-24X1" TAPPING)	4
10	969130001	TENSION HANDLE	1	64	662079001	SCREW(10-24X3/8" SET)	4
11	969218001	SCREW(10-24X5/8" PAN HEAD)	1	65	969212001	SPLITTER BRACKET	1
12	607406006	HEX NUT (3/4-16)	1	66	969599001	SHIM	2
13	969142001	DISC SPRING WASHER	1	67	969600001	SHIM	2
14	661796001	WASHER	1	69	969214010	MOTOR ASSY	1
15	968703005	SCREW 8-32X3/8" PAN HD	1	70	607406005	HEX NUT (3/8X16)	1
16	969140001	TILT POINTER	1	71	706382360	FLAT WASHER	1
17	664105001	SWITCH COVER LABEL	1	72	706382360	FLAT WASHER	1
18	663283001	SWITCH COVER	1	73	969122002	BEVEL GEAR	1
20	968702005	SCREW(8-16X3/8" PAN HD)	4	74	941401831	SPRING PIN	1
21	663283001	ROCKER SWITCH	1	75	969123001	ELEVATING SHAFT-THREADED	1
22	663285001	SWITCH BASE	1	76	661853001	SPACER	1
23	623924009	PARALLEL PIN	1	77	622171053	HEX NUT(1/4-20)	2
24	664084001	LATCH	1	78	706382343	FLAT WASHER	1
25	664101001	NAME PLATE LABEL	1	79	615570012	BOLT(1/4-20X1" HEX HD)	1
26	662493002	SCREW(10-24X5/8" PAN HEAD)	3	80	607406003	HEX NUT(5/16-18)	2
27	662884001	FRONT CABINET PANEL	1	81	662481001	CLAMP	1
28	663284001	REAR SWITCH COVER	1	82	969193001	SPACER	5
29	968705004	SCREW(10-24X5/16" PAN HEAD)	1	83	615570007	BOLT(5/16-5/8X.025)	2
30	968705040	SCREW(10-24X1/2" PAN HD)	2	84	662080001	BOLT HOLDER	1
31	969226001	HEX NUT (1/4X20)	2	85	969103001	PLATE COVER	1
32	615570010	BOLT (1/4-20X2")	1	86	968705004	SCREW(10-24X5/16" TAPPING)	1
33	969120001	SEGMENT GEAR	1	87	968705040	SCREW(10-24X1/2" TAPPING)	2
34	615570012	BOLT (1/4-20X1")	1	88	964251002	SQUARE NUT	4
35	968705009	SCREW 10-24X3/8" TAPPING	4	89	969101001	SAW TABLE	1
36	661694003	CLAMPER BRACKET	1	90	706382346	FLAT WASHER	4
37	969127001	TILTING GEAR	1	91	663144001	CLAMP HANDLE	4
38	969221001	COMPRESSION SPRING	1	92	615570020	BOLT(5/16-18X3/4")	4
39	969125002	ROD	1	93	969605004	TABLE INSERT	1
40	941401831	SPRING PIN	1	94	662079001	SCREW(10-24X3/4")	3
41	941401018	SPRING PIN	1	95	662406001	SLIDE COVER	1
42	969128001	CLUTCH	1	96	969117001	FRONT RAIL	1
43	969124001	GEAR SHAFT	1	97	969135001	SCALE	1
44	706382360	FLAT WASHER	1	98	662407001	SLIDE COVER	1
45	607067007	CROS-RECESSED FILLISTER(8-32X13/	1	99	662409001	SLIDE COVER	1
46	969122002	BEVEL GEAR	1	100	969924001	REAR RAIL	1
47	968705040	SCREW (10-24X12")	4	101	662408001	SLIDE COVER	1
48	969113001	CLAMP	2	102	644585002	HEX NUT (1/4-20)	1
49	969170001	ROLL PIN	2	103	661992002	RETAINING CLIP	1
50	968705009	SCREW (10-24X5/8" TAPPING")	4	104	969216001	SPRING PLATE	1
51	664087001	LOCKER SUPPORT	2	105	969174004	HANDLE SHAFT	1
52	959529002	BODY	1	106	969173001	EXTENSION TABLE	1
53	968705040	SCREW (8-32X3/8" TAPPING)	6	107	706382360	FLAT WASHER	1
58	662063001	ARBOR COLLAR	2	108	969175002	BOLT CLAMP	1

**PARTS LIST FOR AFTER SALES SERVICE
MODEL BT3000SX1**

REF	PART NO.	DESCRIPTION	QTY	REF	PART NO.	DESCRIPTION	QTY
109	969220002	BOLT (1/4-20X3/4" HEX HD)	1				
110	643128001	HEX NUT AND FLAT WASHER	3				
111	969104001	PLATE COVER	1				
112	614658007	SCREW(8-32X3/4" PAN HD)	1				
113	968703005	SCREW(8-32X3/8" PAN HD)	5				
114	969230001	PLUG SOCKET BOX	1				
116	989001001	CABLE CLAMP	1				
117	969137001	OUTLET 15AMP	1				
118	969229001	PLUG SOCKET BOX	1				
119	968702001	SCREW (8-16X3/4" TAPPING)	4				
120	663346001	SPEC. LABEL	1				
121	663344002	WARNING LABEL	1				
122	989001001	POWER CABLE	1				
123	663339001	HAND TAG	1				
127	969244003	WRENCH	1				
128	969244004	WRENCH	1				
129	820193007	WRENCH HEX	1				
130	820193006	WRENCH HEX	1				
131	820193005	WRENCH HEX	1				
132	820193004	WRENCH HEX	1				
133	663180001	SHAFT-HANDWHEEL	1				
134	623111001	E-RING	1				
137	989001001	CABLE CLAMP	1				
138	662329001	V-BELT	2				
139	969209001	CUTTER SHAFT	1				
140	969235003	BEARING(6003)	1				
141	969203001	BEARING COVER	1				
142	969210002	ARBOR PULLEY	1				
143	622167068	C-RING	1				
144	969235004	BEARING(6002)	1				
145	969235005	BEARING (6200)	1				
146	616452010	WOODRUF KEY	1				
147	623924009	STICKER	1				
150A	969176901	MITER TABLE ASSY	1				
200A	969143001	RIP FENCE ASSY	1				
240A	969165001	BLADE GUARD ASSY	1				

LANDSCAPEPOWER.COM

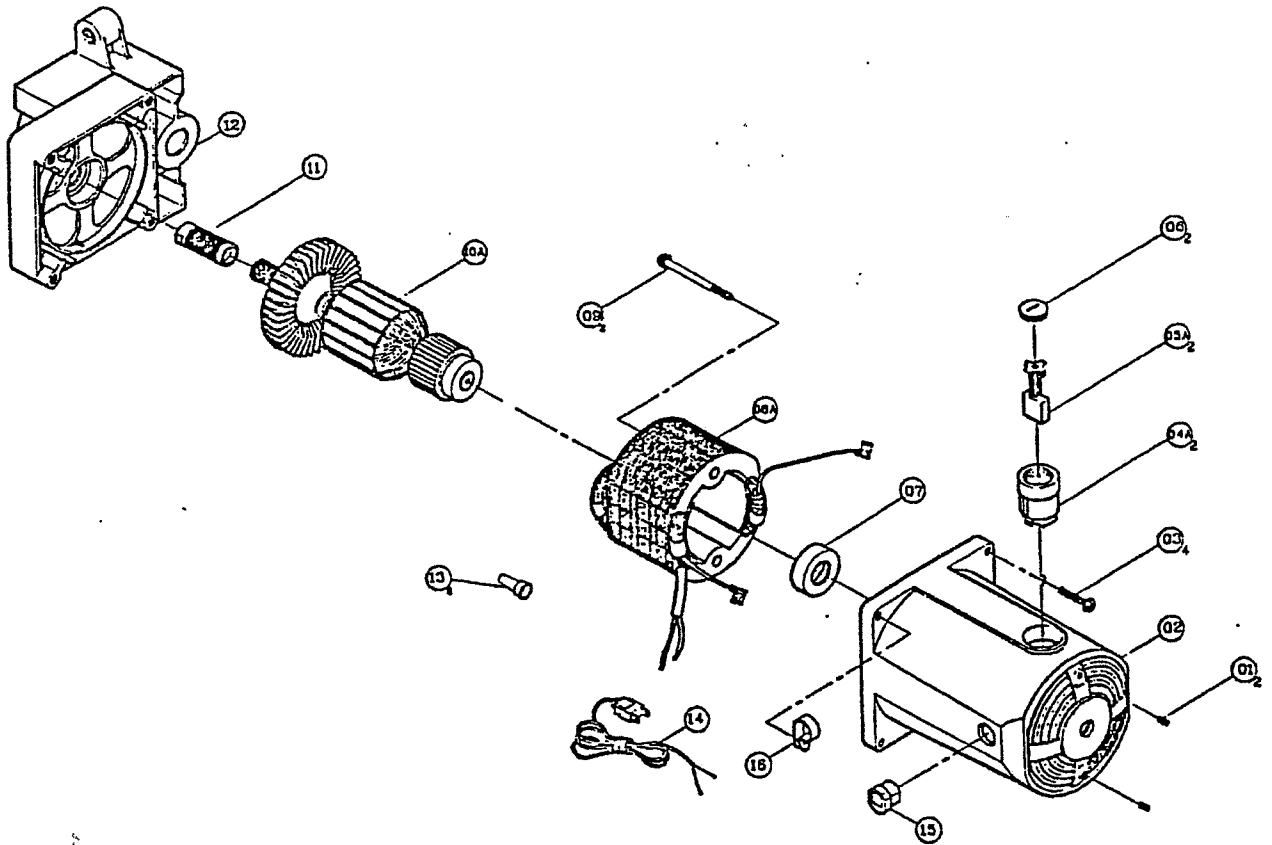
PARTS LIST FOR AFTER SALES SERVICE MODEL BT3000SXI MOTOR ASSEMBLY

1	4130286	HEX SET SCREW	2		
2	4800030	MOTOR HOUSING	1		
3	4130287	PAN HEAD SCREW AND WASHER	4		
4	4570008	BRUSH HOLDER ASSY	1		
5	4540007	BRUSH ASSY	1		
6	4570009	BRUSH COVER	1		
7	4750011	BEARING BUSHING	1		
8	4500008	FIELD ASSY	1		
9	4130268	FIELD PAN HD SCREW AND WASHER	2		
10	4460008	ARMATURE ASSY	1		
11	4860022	MOTOR PULLEY	1		
12	4800031	MOTOR BRACKET	1		
13	4560026	CLOSED END CONNECTOR	1		
14	4520016	POWER CORD	1		
15	4520017	STRAIN RELIEF BUSHING	1		
16	4520018	CABLE CLAMP	1		

SERVICE NOTES:

REFERENCE NUMBERS 1-8 ON FIG. 62 REMAIN THE SAME

COMPLETE MOTOR - 969214010



LANDSCAPEPOWER.COM