

DOLMAR



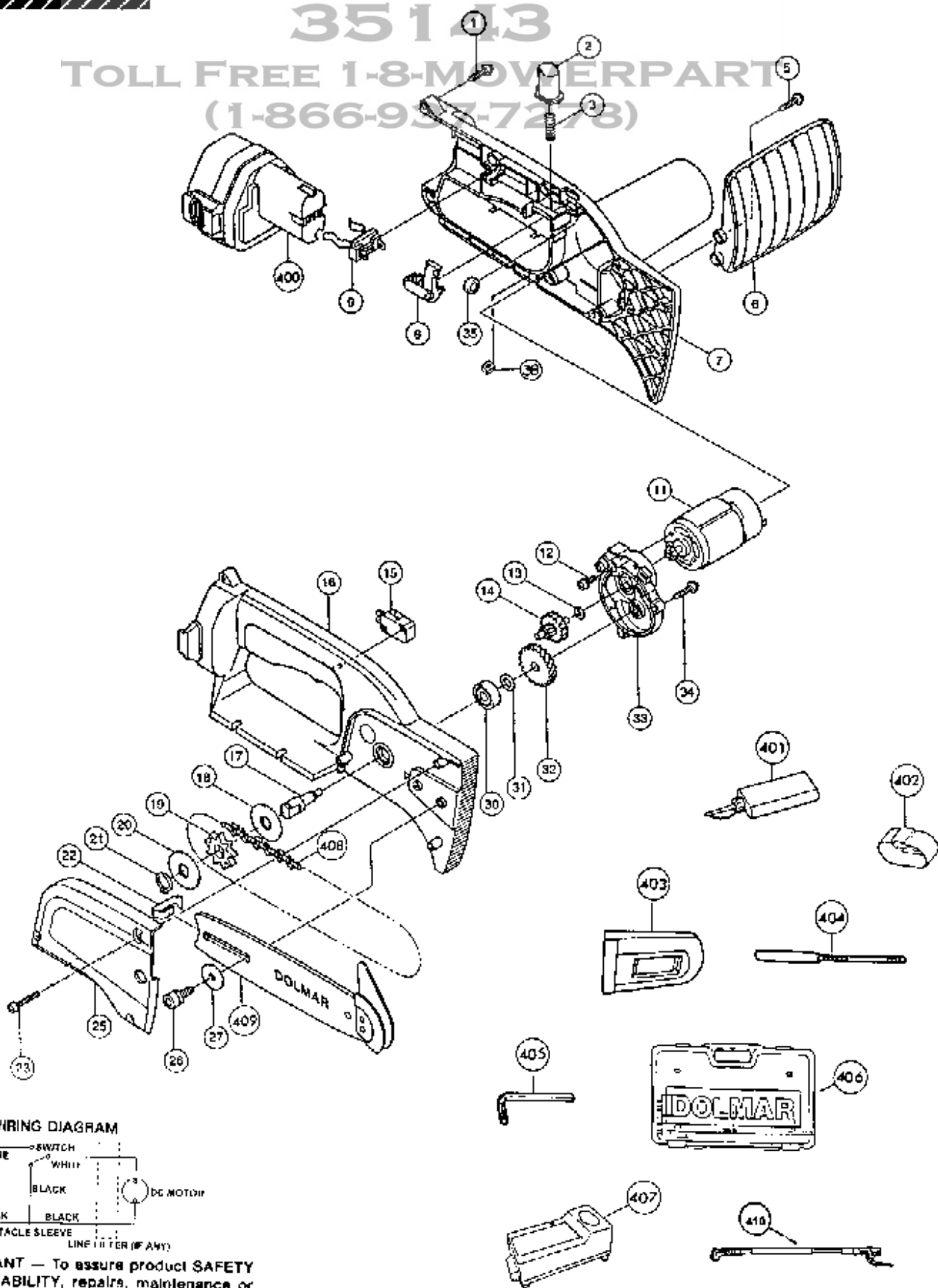
CORDLESS CHAIN SAW

MODEL AS1212LG

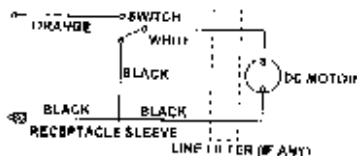
35143

TOLL FREE 1-8-MOVERPART

(1-866-955-7273)



WIRING DIAGRAM



IMPORTANT — To assure product SAFETY and RELIABILITY, repairs, maintenance or adjustments should be performed by MAKITA Service Centers or other qualified

Fig.	Part No.	Qty. Used	Description	Fig.	Part No.	Qty. Used	Description
1	265995-6	9	TAPPING SCREW 4X18	30	211031-6	1	BALL BEARING 608LLB
2	416308-6	1	LOCK OFF BUTTON	31	253215-0	1	FLAT WASHER 8
3	233194-8	1	COMPRESSION SPRING 4	32	226478-1	1	HERICAL GEAR 44
5	285995-6	2	TAPPING SCREW 4X18	33	169982-4	1	GEAR HOUSING COMPLETE
6	416312-5	1	FRONT HAND GUARD	34	265995-6	3	TAPPING SCREW 4X18
7	182934-0	1	HOUSING SET (INCL. FIG. 160)	35	688114-1	1	LINE FILTER
8	416840-0	1	SWITCH LEVER	36	252157-5	1	SQUARE NUT M6
9	643918-8	1	BATTERY HOLDER				
11	629715-6	1	DC MOTOR (INCL. 1 EA. SPUR GEAR 15 221882-9)				
12	911113-1	2	PAN HEAD SCREW M4X10				
13	253811-4	1	FLAT WASHER 5				
14	226131-9	1	GEAR COMPLETE 9-46	400	192666-1	1	BATTERY 1222 (AP-123)
15	651942-7	1	SWITCH V15-1A6-IN	401	182229-1	1	OIL SUPPLY 100CC
16	182934-0	1	HOUSING SET (INCL. FIG. 7)	402	414938-7	1	BATTERY COVER
17	322954-4	1	SPINDLE	403	416311-7	1	GUIDE BAR CASE
18	267729-3	1	LOCK WASHER 12	404	744003-1	1	FILE 4
19	221504-1	1	SPROCKET 9	405	783203-8	1	HFX. WRENCH 5
20	267729-3	1	LOCK WASHER 12	406	824495-1	1	PLASTIC TOOL CASE (INC. 1 FA. SHIELD LATCH SET 186347-7, 2 EA. LATCH 417059-4)
21	981052-5	1	RETAINING RING S-12	407	DC1411	1	FAST CHARGER DC1411
22	232170-9	1	LEAF SPRING	408	791285-6	1	CHAIN BLADE
23	911148-2	3	PAN HEAD SCREW M4X25	409	158046-1	1	GUIDE BAR COMPLETE
25	416306-0	1	SPROCKET COVER	410	192747-1	1	EXTENSION HANDLE
26	922322-7	1	HEX. S. HEAD BOLT M6X16				
27	267173-4	1	FLAT WASHER 6				

ACCESSORIES