

# DOLMAR

## ENGINE BLOWER

### Model PB250

LANDSCAPEPOWER.COM

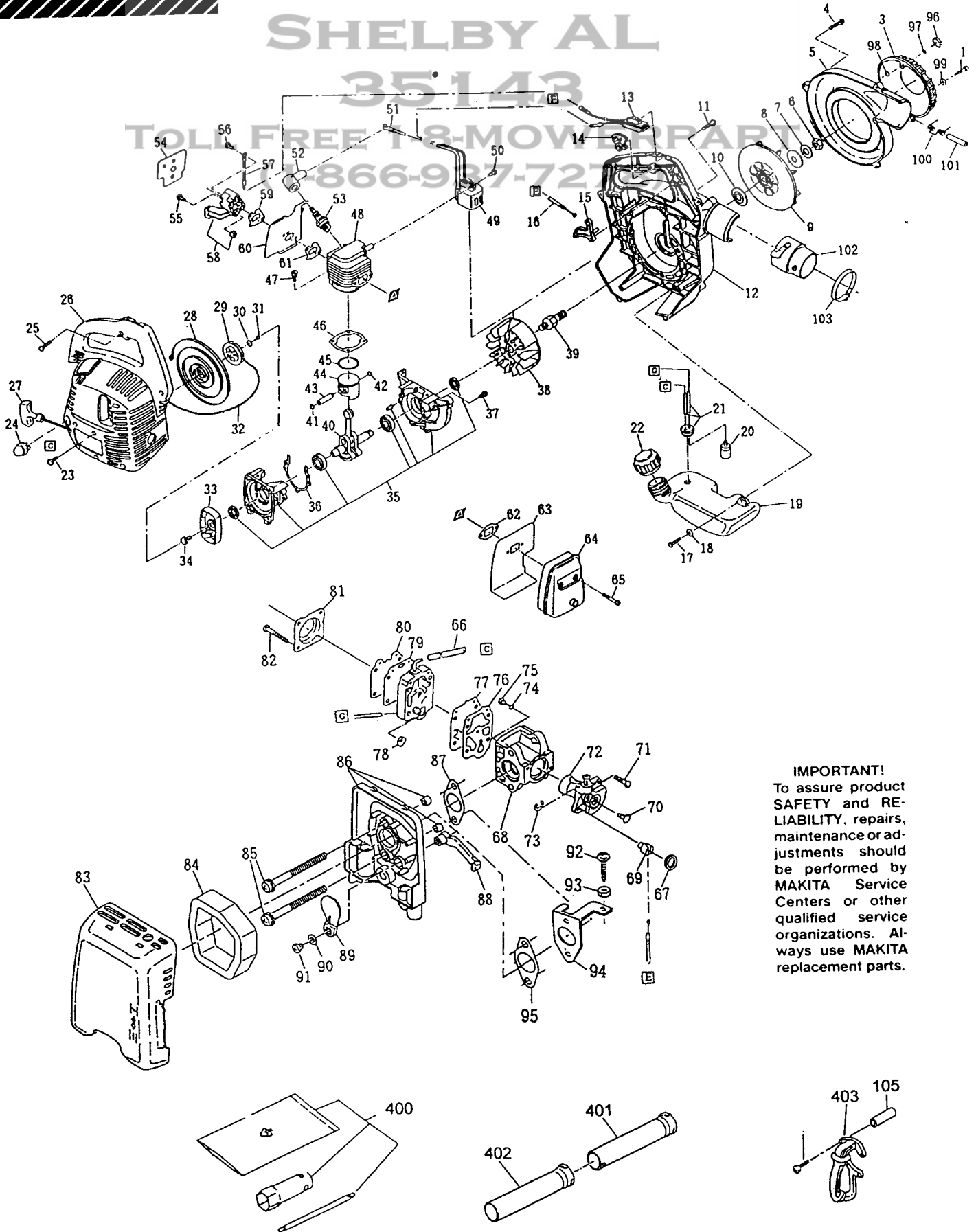
7031 HIGHWAY 47

SHELBY AL

35143

TOLL FREE 1-8-MOVIE-REPAIR

1-866-937-7272



**IMPORTANT!**  
To assure product SAFETY and RELIABILITY, repairs, maintenance or adjustments should be performed by MAKITA Service Centers or other qualified service organizations. Always use MAKITA replacement parts.

Fig.	Part No.	Qty. Used	Description	Fig.	Part No.	Qty. Used	Description
1	660-15005-00	1	TAPPING SCREW	58	523-30380-01	1	INSULATOR COMPLETE
3	660-15027-01	1	PROTECTOR	59	523-35039-02	1	INSULATOR GASKET
4	660-15013-00	5	TAPPING SCREW M5X20	60	523-35052-01	1	CARBURETOR INSULATOR
5	660-10220-00	1	VOLUTE CASE 1 COMPL.	61	523-35039-02	1	INSULATOR GASKET
6	002-17080-00	1	NUT	62	523-35043-02	1	MUFFLER GASKET
7	020-00898-50	1	WASHER	63	525-35004-00	1	MUFFLER INSULATOR
8	003-12080-00	1	WASHER	64	525-30020-01	1	EXHAUST MUFFLER
9	660-15033-00	1	INPELLER	65	011-90596-70	2	SOCKET HEAD BOLT M5X55
10	660-15036-00	1	WASHER	66	085-11399-62	1	TUBE
11	004-36053-50	3	SCREW M5X35	67	521-95000-00	1	HOLDER
12	660-10180-00	1	VOLUTE CASE 2 COMPL.	68	525-60130-00	1	CARBURETOR (Incl.Fig.69-82)
13	660-50100-01	1	SWITCH COMPLETE	69	523-60180-40	1	SWIVEL
14	660-55021-01	1	STOPPER	70	520-60081-10	1	PLUG
15	660-55020-01	1	THROTTLE LEVER	71	520-60080-30	2	PAN HEAD SCREW
16	063-00499-30	1	CONTROL CABLE	72	523-60470-22	1	THROTTLE VALVE ASS'Y
17	660-15013-00	1	TAPPING SCREW M5X20	73	531-60051-20	1	RING
18	003-10050-00	2	WASHER 5	74	524-60010-10	1	O-RING
19	660-35001-01	1	FUEL TANK	75	523-60460-30	1	JET
20	523-65039-00	1	FILTER	76	524-60010-30	1	PUMP GASKET
21	660-30010-00	1	TUBE	77	524-60010-40	1	PUMP DIAPHRAGM
22	531-60020-03	1	FUEL TANK CAP ASSEMBLY	78	501-60040-10	1	INLET SCREEN
23	014-00594-50	4	SCREW M5X18	79	501-60041-30	1	GASKET
24	523-65043-00	1	PUMP	80	531-60052-50	1	METERING DIAPHRAGM ASSEMBLY
25	660-15013-00	6	TAPPING SCREW M5X20	81	531-60050-30	1	PRIMER PUMP COVER
26	660-80030-00	1	ENGINE COVER COMPLETE	82	521-60020-20	4	PAN HEAD SCREW
27	660-80010-50	1	STARTER KNOB	83	523-35046-02	1	AIR CLEANER CASE
28	660-80010-40	1	SPIRAL SPRING	84	523-35047-00	1	AIR CLEANER ELEMENT
29	660-80010-30	1	REEL	85	004-36056-50	2	SCREW M5X62
30	660-80010-20	1	WASHER	86	523-30480-01	1	CLEANER PLATE
31	660-80010-10	1	TAPPING SCREW	87	523-35042-00	1	CARBURETOR GASKET
32	660-80010-60	1	STARTER ROPE 3.5 X 870	88	523-35048-01	1	CHOKE LEVER
33	523-50250-01	1	PULLEY	89	523-35050-02	1	CHOKE PLATE
34	523-55047-00	1	BOLT ASSEMBLY	90	003-11040-00	1	WASHER
35	523-10110-00	1	CRANKCASE COMPLETE	91	015-00499-80	1	TAPPING SCREW M4X8
36	523-15022-02	1	CRANKCASE GASKET	92	525-65008-01	1	CONE POINT SCREW
37	014-00595-00	3	SCREW M5X25	93	002-17040-00	1	NUT
38	523-70340-12	1	FLYWHEEL	94	525-60140-00	1	THROTTLE STOPPER
39	660-55022-02	1	SHAFT	95	523-35042-00	1	CARBURETOR GASKET
40	523-20180-00	1	CRANKSHAFT COMPLETE	96	660-15032-01	1	SCREW
41	056-50899-70	1	CLIP	97	660-15035-00	1	RUBBER WASHER
42	056-50899-70	1	CLIP	98	660-15034-00	1	OUTER SNAP RING
43	523-25026-00	1	PISTON PIN	99	003-12050-00	1	WASHER
44	523-25019-02	1	PISTON	100	660-15030-01	1	SPRING
45	524-25007-01	1	PISTON RING	101	660-15031-00	1	SHAFT
46	523-15023-04	1	CYLINDER GASKET	102	660-95084-00	1	EXTENSION PIPE
47	011-90597-30	2	SOCKET HEAD BOLT M5X20	103	660-95085-00	1	HOSE CLAMP
48	523-15018-03	1	CYLINDER	104	004-36055-50	4	SCREW
49	523-70340-21	1	COIL	105	611-55038-00	4	SPACER
50	014-00499-20	2	SCREW ASSEMBLY M4X20				
51	065-40099-31	1	PLUG CAP SPRING				
52	065-50099-40	1	PLUG CAP				
53	065-01497-21	1	SPARK PLUG				
54	523-35041-03	1	INSULATOR GASKET				
55	014-00595-00	1	SCREW M5X25				
56	014-00595-00	1	SCREW M5X25				
57	616-55012-00	1	WIRE				
				<b>ACCESSORIES</b>			
				400	616-90190-00	1	TOOL KIT
				401	660-95025-00	1	PIPE
				402	660-95071-00	1	END PIPE
				403	660-90080-00	1	GRIP COMPLETE